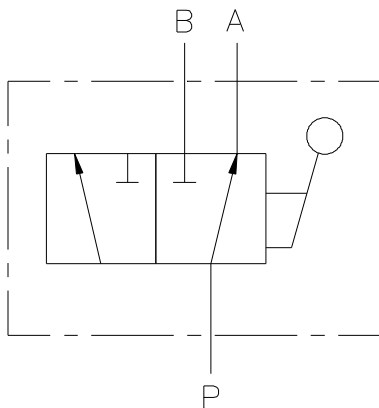


MANUAL SELECTOR VALVE “MS”

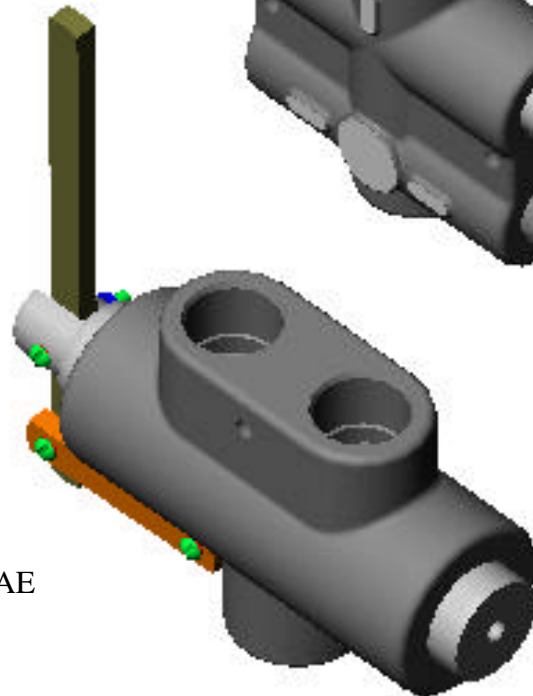
MS16SAE OR MS75-3/4



MS75-3/4



MS16SAE



FEATURES:

- **PRECISION GROUND CHROME PLATED SPOOL** that assures long life.
- **O’RING PORTS** to eliminate leakage (MS16SAE only).
- **RIGID HANDLE** allows customer to shift spool smoothly.
- **OPTIONAL SPRING OFFSET** holds spool in one active position (P to A in offset position and 3/4” NPT only).

SPECIFICATIONS:

- **Rated for 3000 psi (207 bar).**
- **Flow rating**
 - 3/4” NPT 0-30 gpm (0-113 lpm).
 - #16 SAE 0-45 gpm (0-170 lpm).
- **30-Micron filtration recommended.**
- **Weight**
 - MS75 5.5 lbs. (2.5 kg).
 - MS16SAE 9 lbs. (4.1 kg).
- **Standard port sizes.**
 - 3/4” NPT all ports.
 - #16 SAE (1 5/16-12) all ports.

MATERIALS:

- **High Strength Cast Iron Body (MS16SAE)**
- **Cast Iron Body (MS75)**
- **Buna N O’Rings**
- **Chrome Plated Steel Spools**

MS – GENERAL INFORMATION

The Brand, MS two-position manual selector valves are available in two different sizes MS75 and MS16SAE. The MS16SAE allows up to 45 gpm out of either port and has a manual handle for effortless shifting of the spool. The MS75 allows up to 30 gpm out of either port and has a “T” grip handle for effortless push/pull shifting of the spool. The inlet is orificed to ports A and B when the spool is being shifted from port A to port B or vice versa.

MS – COMPLETE LIST OF MODEL CODES:

- MS75-3/4..... 3/4” NPT all ports and rated for 0-30 gpm.
- MS75-SO..... 3/4” NPT all ports, rated for 30 gpm and spring offset (P to A in offset position).
- MS16SAE..... 16 SAE all ports and rated for 45 gpm.

MS – COMPLETE LIST OF OPTIONS AND ACCESSORIES:

- LMS-K..... Seal kit for MS16SAE valve.
- MS-K..... Seal kit for MS75 valve.

DIMENSIONAL DATA:

